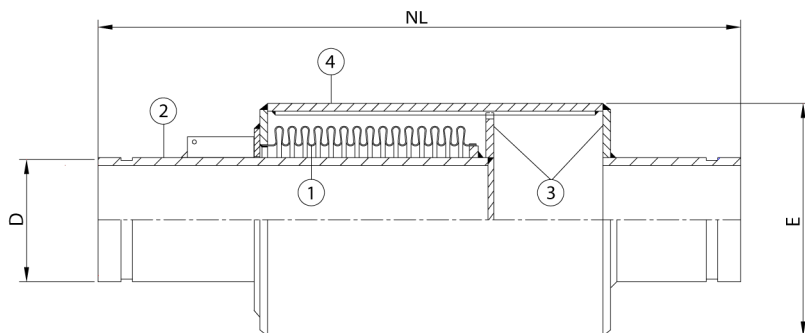


Stainless steel expansion joint, type RXAG

Applications

An expansion joint with steel grooved ends for use within grooved end pipe systems, e.g. Grinnell, Victaulic, etc. Using these couplings and fittings, combines a number of advantages. The ease and swiftness of installation reduces the actual time needed "on site".

For applications in mainly heating systems, where a thermal expansion of the piping has to be absorbed. This type of expansion joint is basically meant for axial movements, and has an outer protection sleeve. The shown type is recommended for mounting with Grinnell Rigid couplings.



Technical description

| | |
|-----------------------------|----------------|
| Bellow (1) | : AISI 316Ti |
| Grooved ends (2) | : Carbon Steel |
| End/Guide Ring (3) | : Carbon Steel |
| Outer protection sleeve (4) | : AISI 304 |

| Diameter | Type | NL | Axial | Axial | | | Max. | Max. |
|----------|---------|----------------|-------------|-----------|-----------|-------|-----------|------------|
| DN | | neutral length | compression | extension | D | E | pressure | pressure |
| mm (in) | | mm | mm | mm | mm | mm | @20°C/bar | @100°C/bar |
| 25(1") | RXAG025 | 525 | -70 | +10 | 33,7x5,0 | 88,9 | 16 | 10 |
| 32(1¼") | RXAG032 | 525 | -70 | +10 | 42,4x4,5 | 101,6 | 16 | 10 |
| 40(1½") | RXAG040 | 525 | -70 | +10 | 48,3x5 | 114,3 | 16 | 10 |
| 50(2") | RXAG050 | 525 | -70 | +10 | 60,3x5 | 115 | 16 | 10 |
| 65(2 ½") | RXAG065 | 525 | -70 | +10 | 76,1x5 | 127 | 16 | 10 |
| 80(3) | RXAG080 | 525 | -70 | +10 | 88,9x6,3 | 166 | 16 | 10 |
| 100(4) | RXAG100 | 525 | -70 | +10 | 114,3x6,3 | 178 | 16 | 10 |
| 125(5) | RXAG125 | 525 | -70 | +10 | 139,7x6,3 | 219 | 16 | 10 |
| 150(6) | RXAG150 | 525 | -70 | +10 | 168,3x8 | 273 | 16 | 10 |
| 200(8) | RXAG200 | 525 | -70 | +10 | 219,1x8 | 324 | 16 | 10 |
| 250(10) | RXAG250 | 525 | -70 | +10 | 273x8 | 400 | 16 | 10 |
| 300(12) | RXAG300 | 525 | -70 | +10 | 323,9x8,0 | 457 | 16 | 10 |

For combined movements, consult Amnitec BV.

All information in this document is without any obligation, specifications subject to change without any notice.